

FL155.40.01

Application: three phase high performance compact

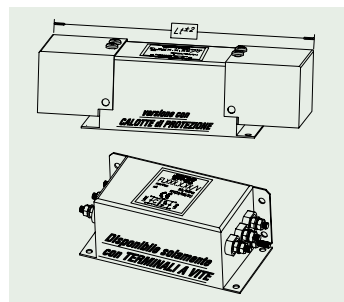
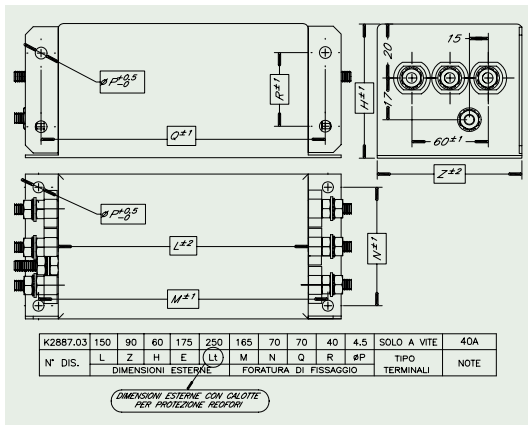
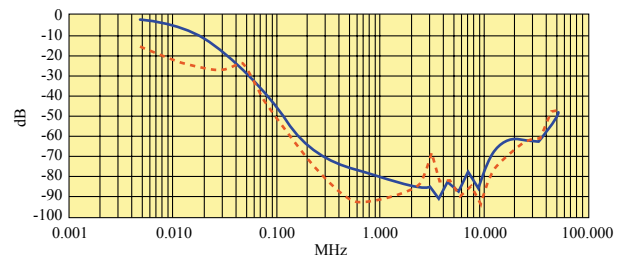
Standard Reference: EN 133000 - EN 60950 / UL 1283 (for safety)

Date: 01/04/24



INSERTION LOSS: CISPR 17 / MIL STD 220A

— common mode: 50 Ω / 50 Ω - - - symmetrical mode: 50 Ω / 50 Ω



TECHNICAL SPECIFICATION

Number of lines	3
Rated Current (In at 40°C)	40 A
Rated Voltage	440 Vac
Frequency	50÷60 Hz
Over Current	1,4 In x 15" - 5 In x 3"
Leakage Current @ 250 V - 50 Hz	<20 mA (worst case)
Test Voltage phase/phase	2400 Vdc
Test Voltage phase/ground	2200 Vac / 3100 Vdc
Climatic Category	-25 +85°C
Relative Humidity	95% RH
Case Material	zinc plated steel
Degree of protection	IP00
Terminal protection for IP20 (metallic cover)	no
Overvoltage & lightnings protection (varistors)	available
Derating Current (I) at temperature over 40°C	$I = I_n \sqrt{(85 - t_{amb}) / 45}$
Drawing	K2887.03

